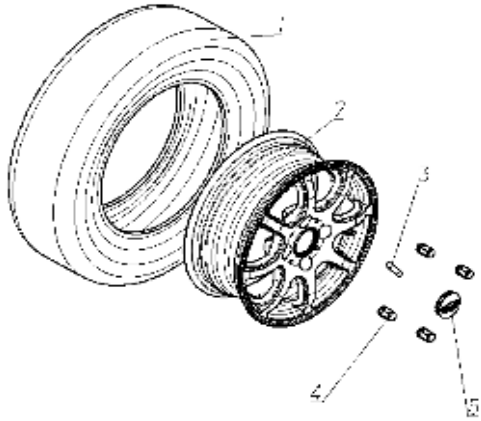


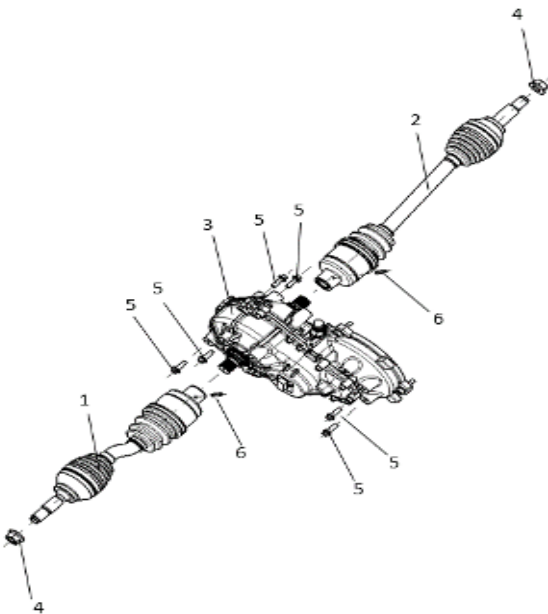
Chassis

Wheel assembly



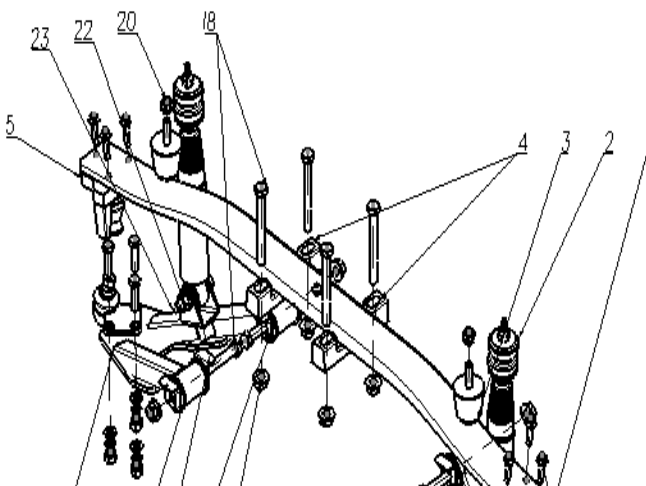
NO.	Part No.	Description	QTY/car
1	1001010104010020	Tire 175/65R14 86H	1
2	1001010104010010	Tire 175/65R14 82H	1
3	1001010101020010	Wheel rim	1
4	1001010107010010	Wheel Valve	1
5	1001050104020010	Wheelnut	4
6	1001050204990010	Wheel Cover	1

Driving System

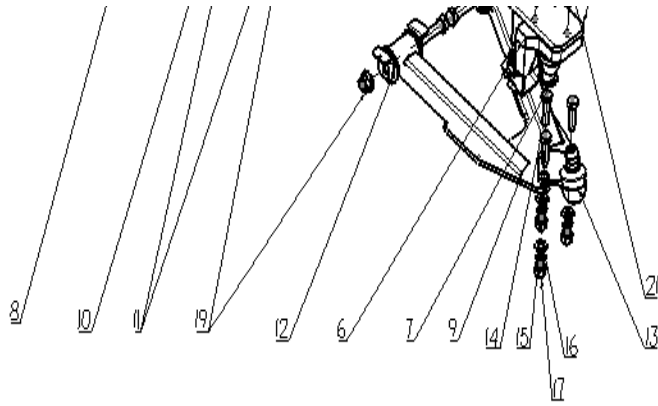


NO.	Part No.	Description	QTY/car
1	1001020101030010	Transmission Axle I	1
2	1001020101030020	Transmission Axle II	1
3	1001020103010000	Gear Box	1
4	1001050104020210	Rear Shaft Lock Nut	2
5	1001050104011120	Serrated Flange Bolt	6
6	1001050104050060	Cotter Pin	2

Front suspension assembly

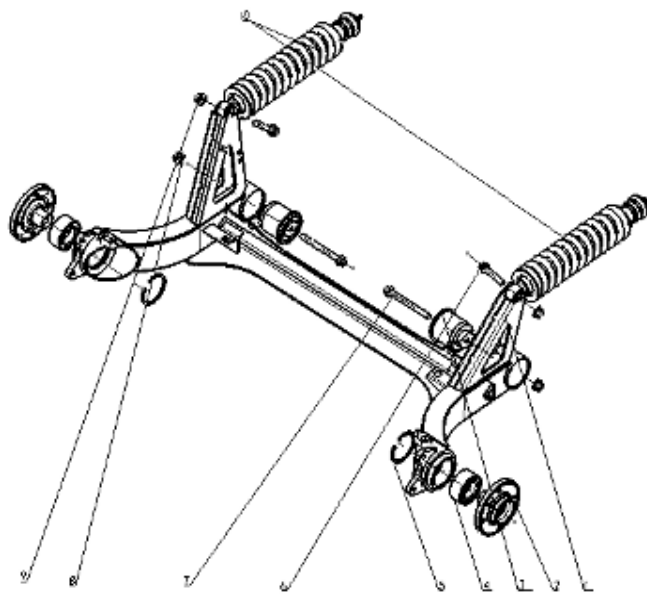


NO.	Part No.	Description	QTY/car
1	1001010301010010	Band spring	1
2	1001010302010020	Front Shock Absorber	2
3	1001010302030010	Damping rubber block	2
4	1001010301040010	Leaf Spring Mounting Bracket	2
5	1001010301030010	Left steel plate spring support	1
6	1001010301020010	Right steel plate spring support	1
7	1001010503020010	Leaf Spring Ball Joint	2
8	1001010202030010	Front suspension rocker arm (left)	1
9	1001010202040010	Front suspension rocker arm (right)	1
10	1001010202010010	Front Joint Bushing	8



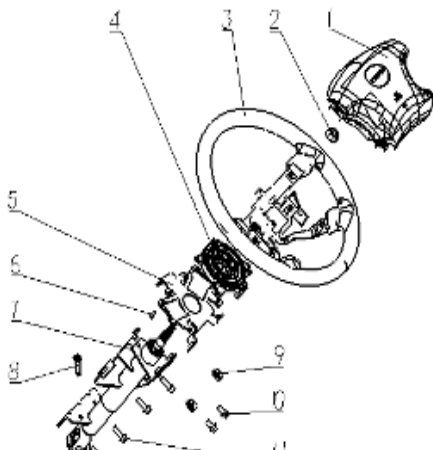
11	1001010202060010	Front A-Arm Spacer 1	4
12	1001010202060020	Front A-Arm Spacer 2	4
13	1001010503010010	A-Arm BALL JOINT	2
14	1001050104011130	hexagonal head bolt	6
15	1001050104040250	spring washer	6
16	1001050104040250	Flat Washer	6
17	1001050104020050	hexagonal locking nut with non-metallic inserts	6
18	1001050104010510	hexagonal head bolt	8
19	1001050104020390	Serrated Flange nut	8
20	1001050104020290	All-metal insert hexagon-lock nut	2
21	1001050104011380	hexagonal head flange bolt	6
22	1001050104020100	Serrated Flange nut	2

Rear rocker arm assembly

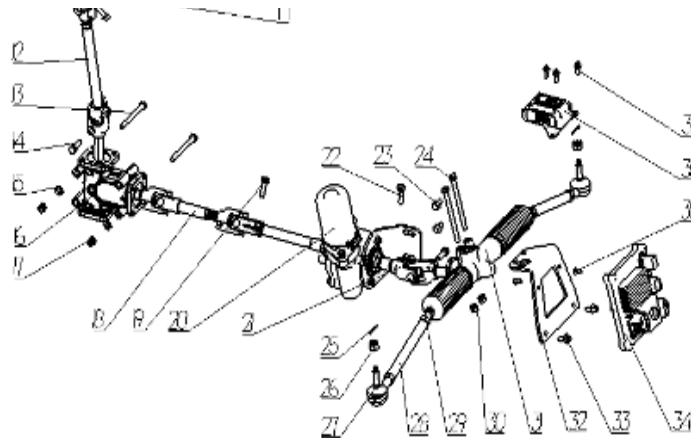


NO.	Part No.	Description	QTY/car
1	1001010202070000	Rear Swing Arm Assembly	1
2	1001010102010010	Rear Wheel	2
3	1001010202020010	Rear Axle Bushing	2
4	1001010103010010	Rear Wheel Bearing	2
5	1001050104040190	circlip for hole	2
6	1001050104010690	hexagonal head flange bolt	2
7	1001050104010940	hexagonal head flange bolt	2
8	1001050104020390	Serrated Flange nut	2
9	1001050104020100	Serrated Flange nut	2
10	1001010302080010	Rear Shock Absorber	2

Steering system

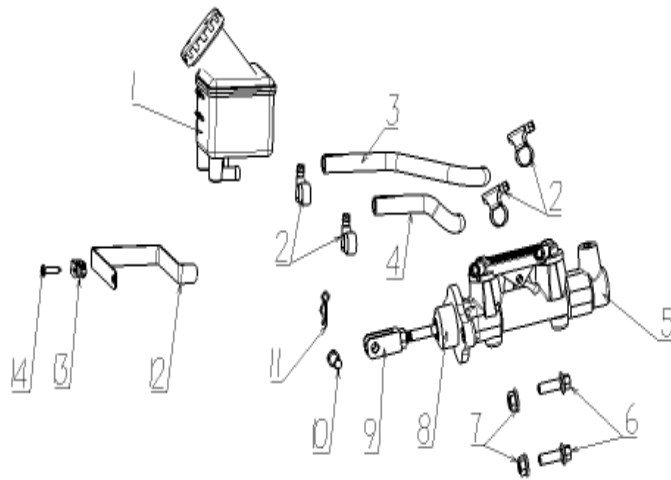


NO.	Part No.	Description	QTY/car
1	1001010502030020	Driver AirBag module (JONWAY Logo)	1
	1001010502030050	Driver AirBag module (CENNTRO Logo)	1
2	/	Serrated Flange nut	1
3	1001010502030010	Steering Wheel	1
4	1001010502030030	Clock spring	1
5	1001030406150010	Switch Bracket	1
6	1001050104140020	Phillips pan head tapping screws	2
7	1001010505120010	Steering Column	1
8	1001050104110050	hexagonal head bolt with spring washer	1
9	1001050104010010	Plastic clip	2
10	1001050104010390	hexagonal head flange bolt	2
11	1001050104010100	hexagonal head flange bolt	4
12	1001010505020010	Steering Column Lower Shaft	1
13	1001050104010360	hexagonal head bolt	2
14	1001050104110050	hexagonal head bolt with spring washer	1
15	1001050104040050	Flat Washer	4
16	1001010506010010	Steering Bevel Box	1



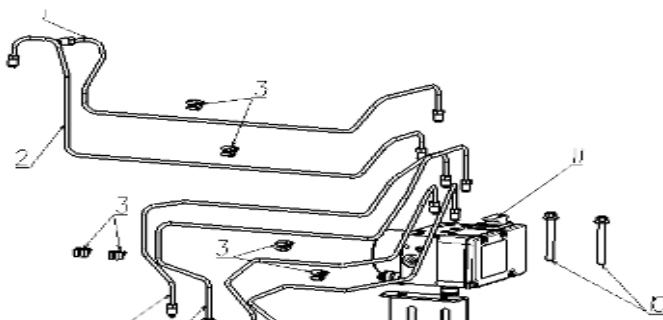
17	1001050104020040	Type 2 hexagonal locking nut with non-metallic inserts	4
18	1001010505060010	EPS Steering Drive Axle Assembly	1
19	1001050104110050	hexagonal head bolt with spring washer	3
20	1001010501030000	EPS REDUCER	1
21	1001010505070010	Cardan Joint Assembly	1
22	1001050104110050	hexagonal head bolt with spring washer	2
23	1001050104010980	Serrated Flange Bolt	6
24	1001050104010450	hexagonal head flange bolt	2
25	1001050104050080	Cotter Pin	2
26	/	I-type Hexagon Slotted Nut	2
27	1001010506021020	Outer ball pin	2
28	1001010506021040	Tie rod	2
29	1001010506021030	Link locknut	2
30	1001050104020040	Type 2 hexagonal locking nut with non-metallic inserts	2
31	1001010506021010	Steering Rack Body	1
32	1001050203070020	Steering Mounting Bracket	1
33	1001050104010390	hexagonal head flange bolt	2
34	1001040301040020	EPS Controller	1
35	1001050104011110	Phillips Countersunk Head Screw	2
36	1001010502030040	Electronic control unit (ecu)	1
37	1001050104010600	hexagonal head flange bolt	3

Brake fluid reservoir and Brake main cylinder

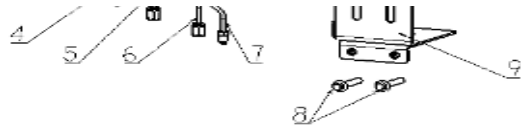


NO.	Part No.	Description	QTY/car
1	1001010406170020	Brake Fluid Reservoir (two feets)	1
2	1001050104030010	Hose Clamp	4
3	1001010406760020	Brake master cylinder Type I oil intake hose	1
4	1001010406760010	Brake master cylinder Type II oil intake hose	1
5	1001010406330010-1	Brake master cylinder body	1
6	1001050104010100	hexagonal head flange bolt	2
7	1001050104020040	Type 2 hexagonal locking nut with non-metallic inserts	2
8	1001010406330010-2	Cover	1
9	1001010406330010-3	Push rod	1
10	1001050104050040	Lock PinΦ8	1
11	1001050104050010	Shaft Pin8×22	1
12	1001050203010010	Brake Fluid Reservoir bracket	1
13	1001050104010010	Plastic clip	1
14	1001050104010310	Phillips pan head tapping screws	1
15	1001010406330010	Master Cylinder	1

ABS module and part of hydraulic pipe

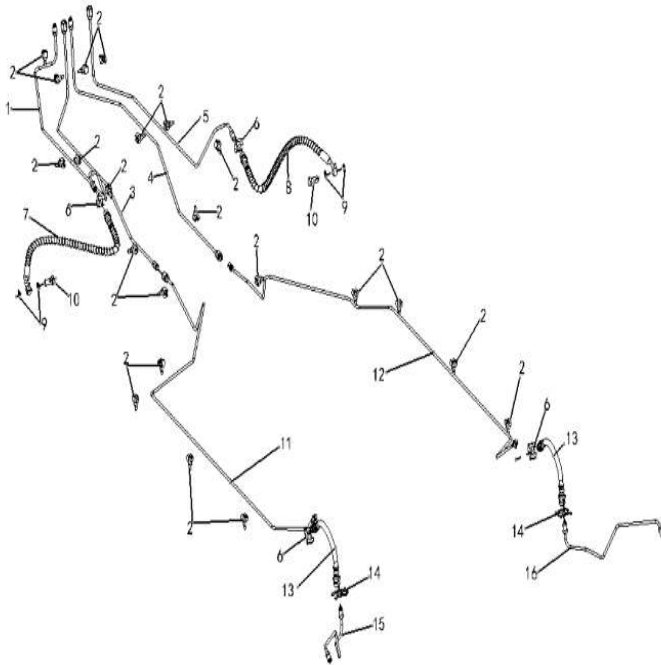


NO.	Part No.	Description	QTY/car
1	1001010406760090	Brake master cylinder Type I oil intake hose	1
2	1001010406760100	Brake master cylinder Type II oil intake hose	1
3	1001050104030020	Brake Line Clip	6
4	1001010406850070	Left Rear Wheel Brake Line, Type I	1
5	1001010406850030	Left Front Brake Line, Type I	1
6	1001010406850100	Right Rear Wheel Brake Line, Type I	1
7	1001010406850050	Right Front Brake Line,	1
8	1001050104110080	hexagonal head flange bolt	2
9	1001010401010020	ABS fixation bracket	1
10	1001050104010060	hexagonal head flange bolt	2



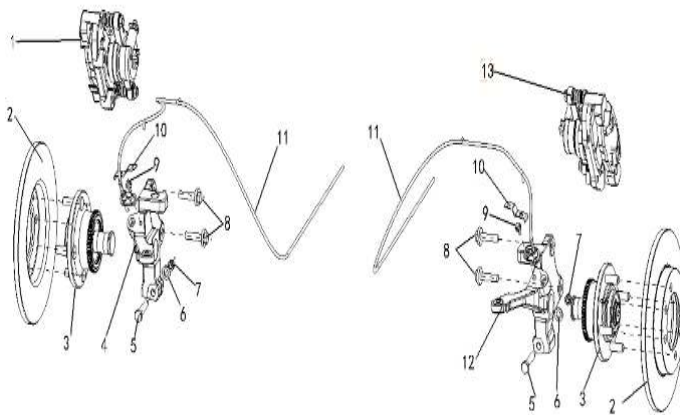
11	1001010401010010	ABS Module	1
----	------------------	------------	---

Front and rear hydraulic pipe



NO.	Part No.	Description	QTY/car
1	1001010406850040	Left Front Brake Line, Type II	1
2	1001050104030020	Brake Line Clip	26
3	1001010406850080	Left Rear Wheel Brake Line, Type II	1
4	1001010406850110	Right Rear Wheel Brake Line, Type II	1
5	1001010406850060	Right Front Brake Line, Type II	1
6	1001050104030060	Elastic Clip	4
7	1001010406400010	Left Front Brake Hose	1
8	1001010406440010	Right Front Brake Hose	1
9	1001050104040150	Copper Washer	4
10	1001050104010490	Hollow Screw M10	2
11	1001010406850090	Left Rear Wheel Brake Line, Type III	1
12	1001010406850120	Right Rear Wheel Brake Line, Type III	1
13	1001010406030010	Rear Brake Hose	2
14	1001050104040100	E CLIP	2
15	1001010406770090	Left Rear Wheel Brake Line	1
16	1001010406770100	Right Rear Wheel Brake Line	1

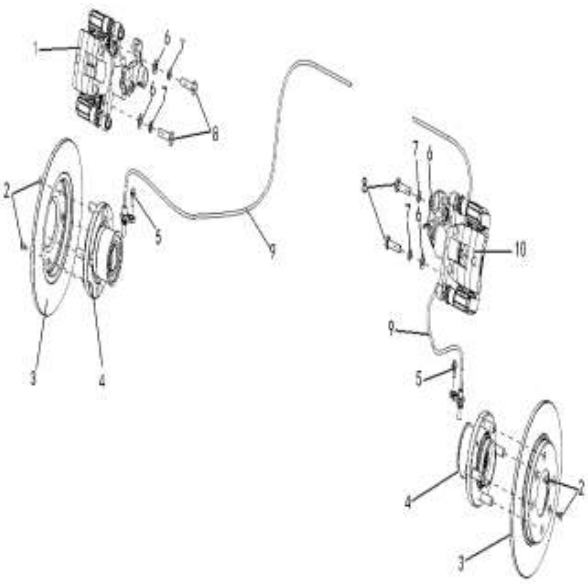
Front brake and wheel speed sensor



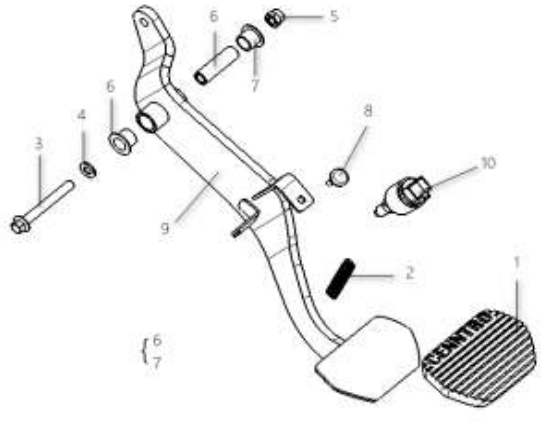
NO.	Part No.	Description	QTY/car
1	1001010406580000	Front left brake caliper with friction block assembly	1
2	1001010404020010	Front brake disc	2
3	/	Front wheel rim	2
4	1001010505130010	Front left steering knuckle	1
5	1001050104010340	hexagonal head bolt	2
6	1001050104040040	Flat Washer	2
7	1001050104020050	hexagonal locking nut with non-metallic inserts	2
8	/	Clamp retaining bolt	4
9	1001050104010600	hexagonal head flange bolt	2
10	1001010401020030	Front wheel speed sensor bracket	2
11	1001010401020010	Front wheel speed sensor assembly	2
12	1001010505130020	Front right steering knuckle	1
13	1001010406590000	Front right brake caliper with friction block assembly	1
14	1001010406840010	Left front brake assembly	1

15	1001010406840020	Right front brake assembly	1
----	------------------	----------------------------	---

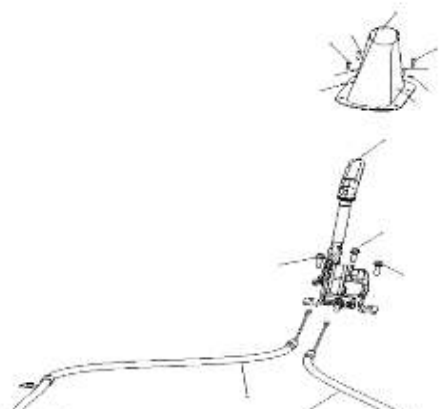
Rear brake and wheel speed sensor

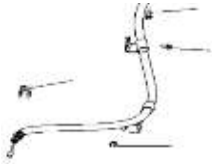
	NO.	Part No.	Description	QTY/car
	1	1001010406790010	Rear Left Caliper	1
	2	1001050104010170	Philips Countersunk Head Screw	4
	3	1001010404030010	Rear brake disc	2
	4	1001010102010010	Rear Wheel	2
	5	1001050104010600	hexagonal head flange bolt	2
	6	1001050104040040	Flat Washer	4
	7	1001050104070020	spring washer	4
	8	1001050104011090	hexagonal head bolt	4
	9	1001010401020020	rear wheel speed sensor assembly	2
10	1001010406790020	Rear Right Caliper	1	

Brake pedal

	NO.	Part No.	Description	QTY/car
	1	1001050205990050	Brake Pedal mat	1
	2	1001050102010010	Brake Pedal Spring	1
	3	1001050104010060	hexagonal head flange bolt	1
	4	1001050104040050	Flat Washer	1
	5	1001050104020040	Type 2 hexagonal locking nut with non-metallic inserts	1
	6	1001010201060030	lining casing	2
	7	/	Small lining casing	1
	8	/	cushion	1
	9	1001010406860010	Brake Pedal	1
10	1001040904120010	Brake switch	1	

Handbrake

	NO.	Part No.	Description	QTY/car
	1	1001010406320010	Parking brake dust cover	1
	2	1001050104011050	Philips pan head tapping screws	4
	3	1001050104040210	Flat Washer	4
	4	1001010406190000	Parking Brake	1
	5	1001050104010100	hexagonal head flange bolt	3
	6	1001010406780010	Rear Left Parking Brake Cable	1
	7	1001010406780020	Rear Right Parking Brake Cable	1
	8	1001050104010600	hexagonal head flange bolt	4
9	1001050104010030	hexagonal head flange bolt	2	



10	1001010406810010	Brake Line/Hose Metal Clip	2
----	------------------	----------------------------	---